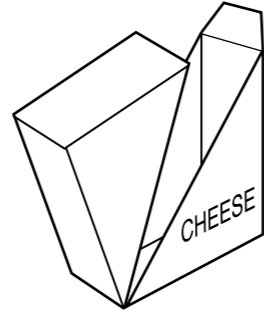
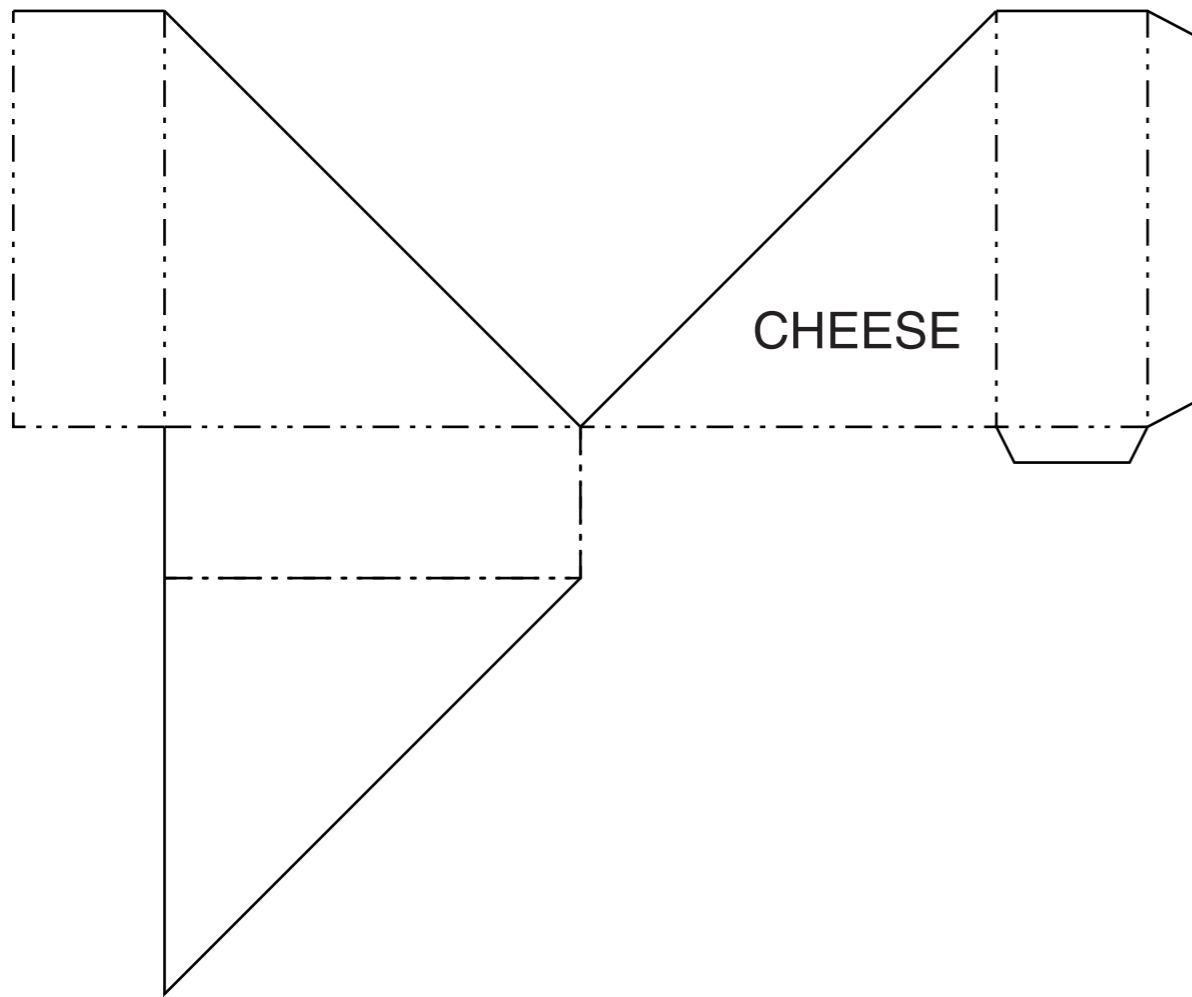


Section A
Answer **all** questions in this section.

A1 A sketch of a package for cheese is shown on the right.

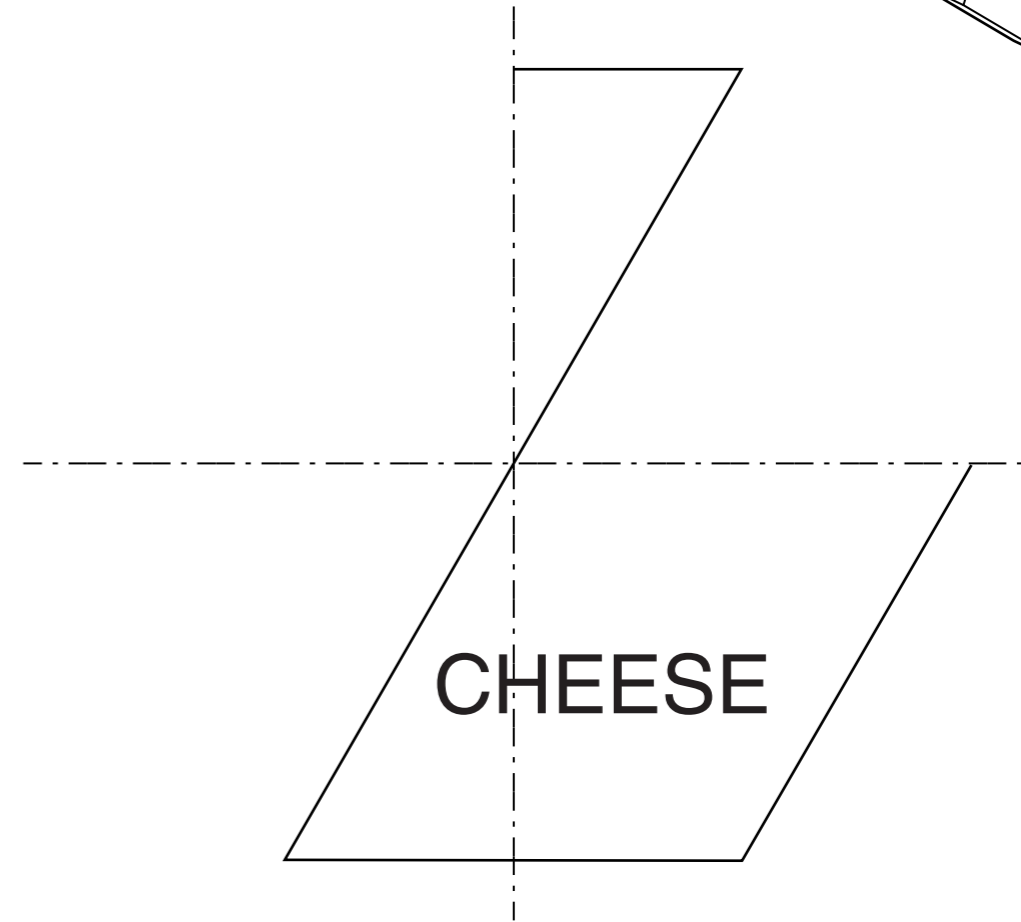
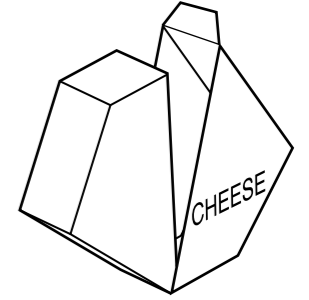


Complete the drawing below of the development (net) of the package for cheese by adding the missing surfaces and glue tabs. [8]



A2 A sketch of a hexagonal package for cheese is shown on the right.

(a) Complete the full size view of the side of the hexagonal package for cheese shown below. [5]

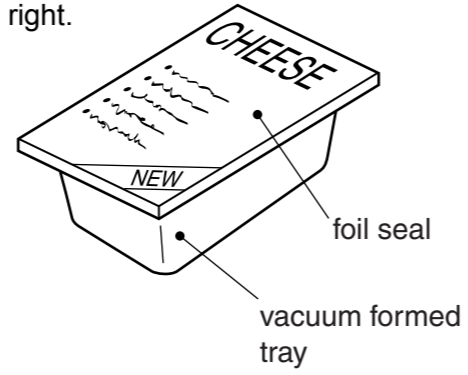
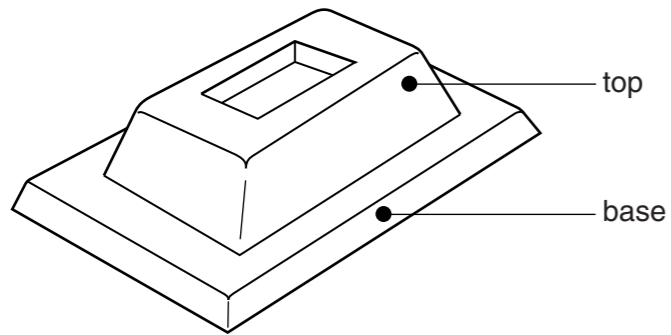


(b) The word **CHEESE** is embossed. Use a sketch and notes to explain what is meant by the term embossed. [2]

For Examiner's use

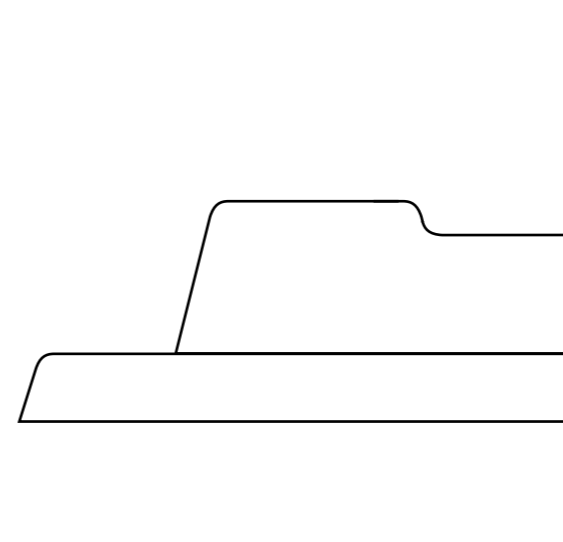
A3 A sketch of a vacuum formed package for cheese is shown on the right.

A sketch of the former used to produce the tray is shown below.



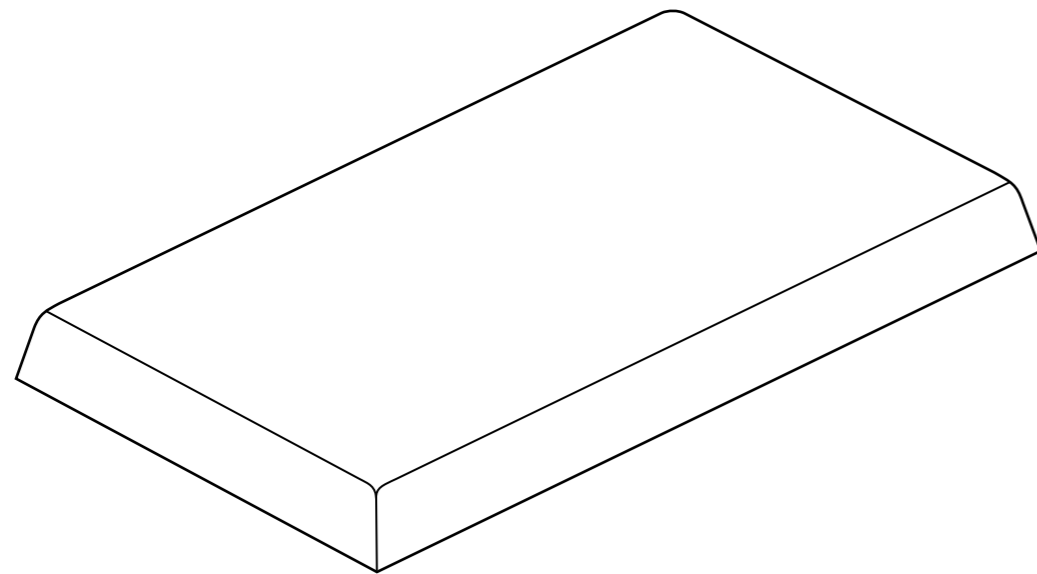
(b) Complete the sectional view of the former shown below.

[5]



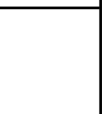
(a) Render the drawing of the base of the former to make it appear like solid wood.

[3]



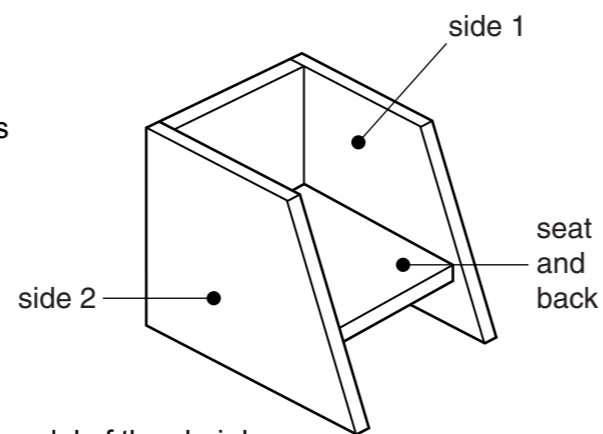
(c) Explain why the sides of the former are angled.

.....
.....
.....
..... [2]



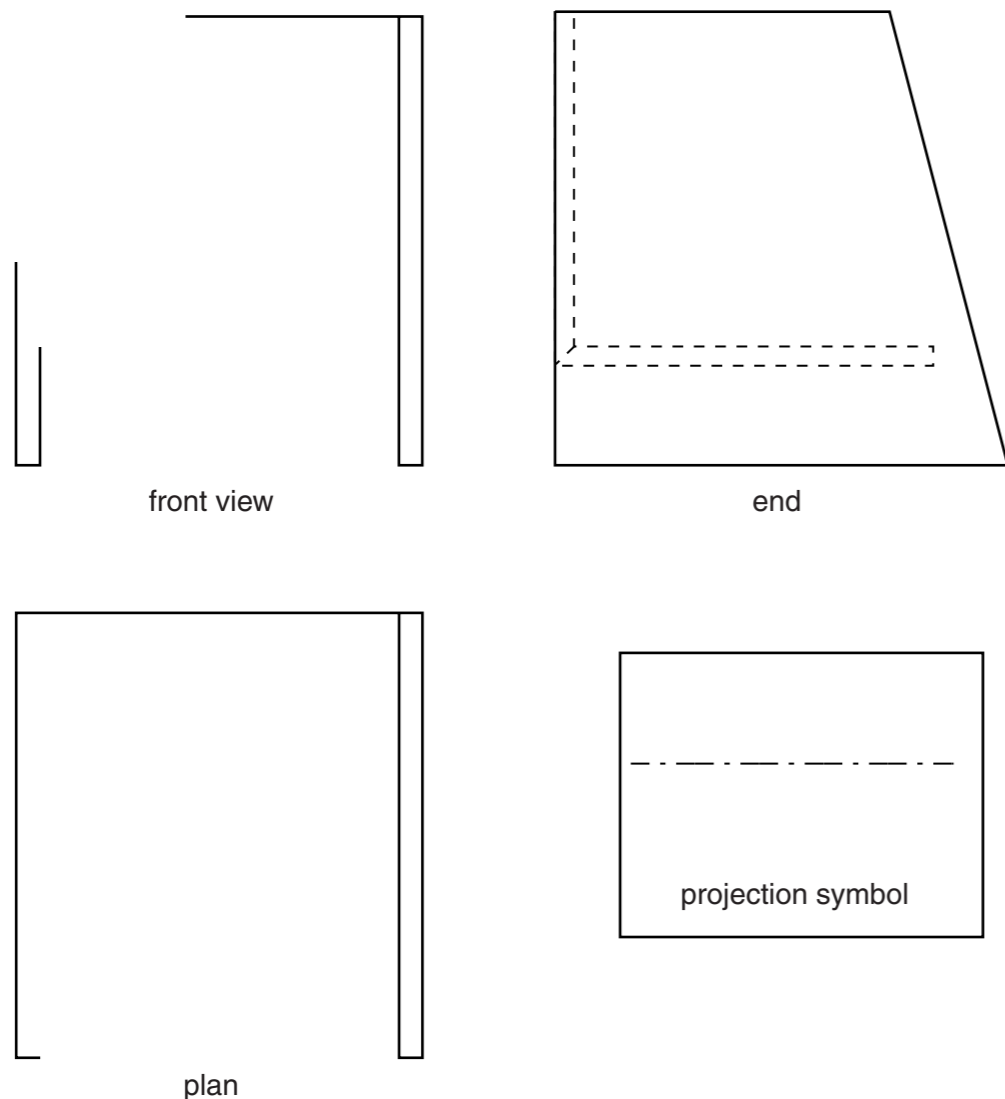
Section B
Answer **either** question **B4** or **B5**.

B4 A sketch of a model of a chair made from foam board is shown on the right.



(a) Complete the scale 1 : 2 orthographic views of the model of the chair by:

- (i) adding the missing lines to the front view; [5]
- (ii) adding the missing lines to the plan; [4]
- (iii) adding the projection symbol in the given box. [3]



(b) Complete the materials list below for the model of the chair. [4]

Part	Material	Length	Width	Thickness	No. off
sides	foam board	120	120	5	
	foam board		90	5	

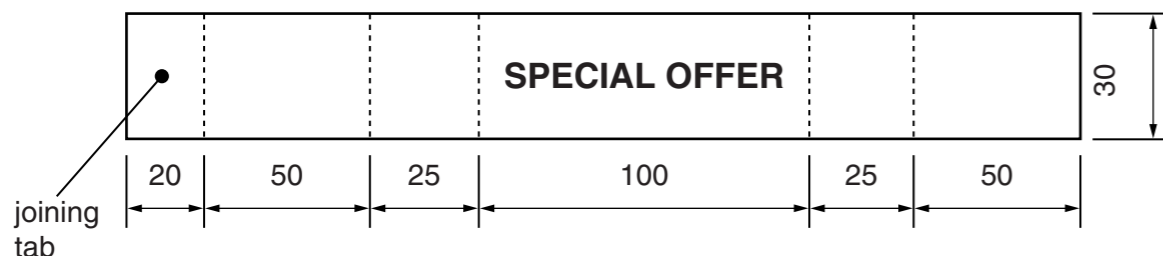
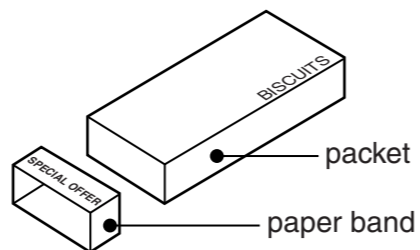
(c) The table below shows the stages in making the model of the chair from foam board. Use sketches and notes to describe each stage. [9]

	Description of stage in making
marking out	
cutting	
folding	
joining	

For
Examiner's
use

B5 An exploded sketch of a packet of biscuits and a 'SPECIAL OFFER' paper band is shown on the right.

The development (net) of the paper band is shown below.



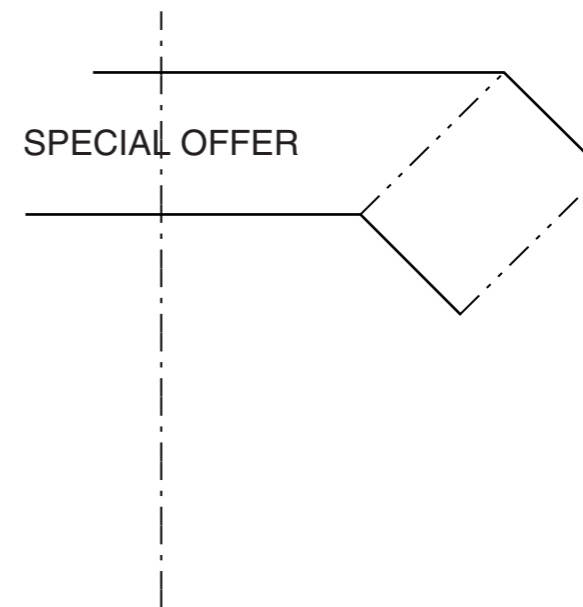
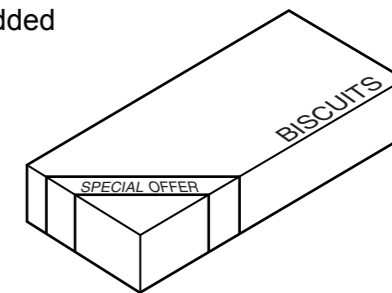
(a) On the start point below draw a full size isometric view of the assembled paper band. Do **not** include the words SPECIAL OFFER. [10]



(b) Use sketches and notes to show a non-permanent method of joining the paper band together. [3]

(c) A modified version of the 'SPECIAL OFFER' paper band is to be added to a corner of the packet of biscuits.

Complete the drawing below to show the development (net) of the modified paper band. [8]



(d) Complete the table below to outline how a computer could be used to design and make the modified paper band.

CAD	<p>.....</p> <p>.....</p> <p>.....</p> <p>..... [2]</p>
CAM	<p>.....</p> <p>.....</p> <p>.....</p> <p>..... [2]</p>